

KING HIGHWAY PRODUCTS LIMITED

Riverside, Market Harborough,
Leicestershire, England, LE16 7PX

Telephone: +44 (0) 1858 467 361
Fax: +44 (0) 1858 467 161

sales@kinghighway.co.uk
www.kinghighway.co.uk



E209PX Truck Mounted Platform

PRP1562B Issue 1 – 11/1/2013

Operating Features:

Platform style:	Double articulated + telescopic
Maximum working height:	20.00 m
Maximum horizontal outreach:	8.81 m
Maximum safe working load capacity:	220 Kg
Main Boom Rotation:	450°

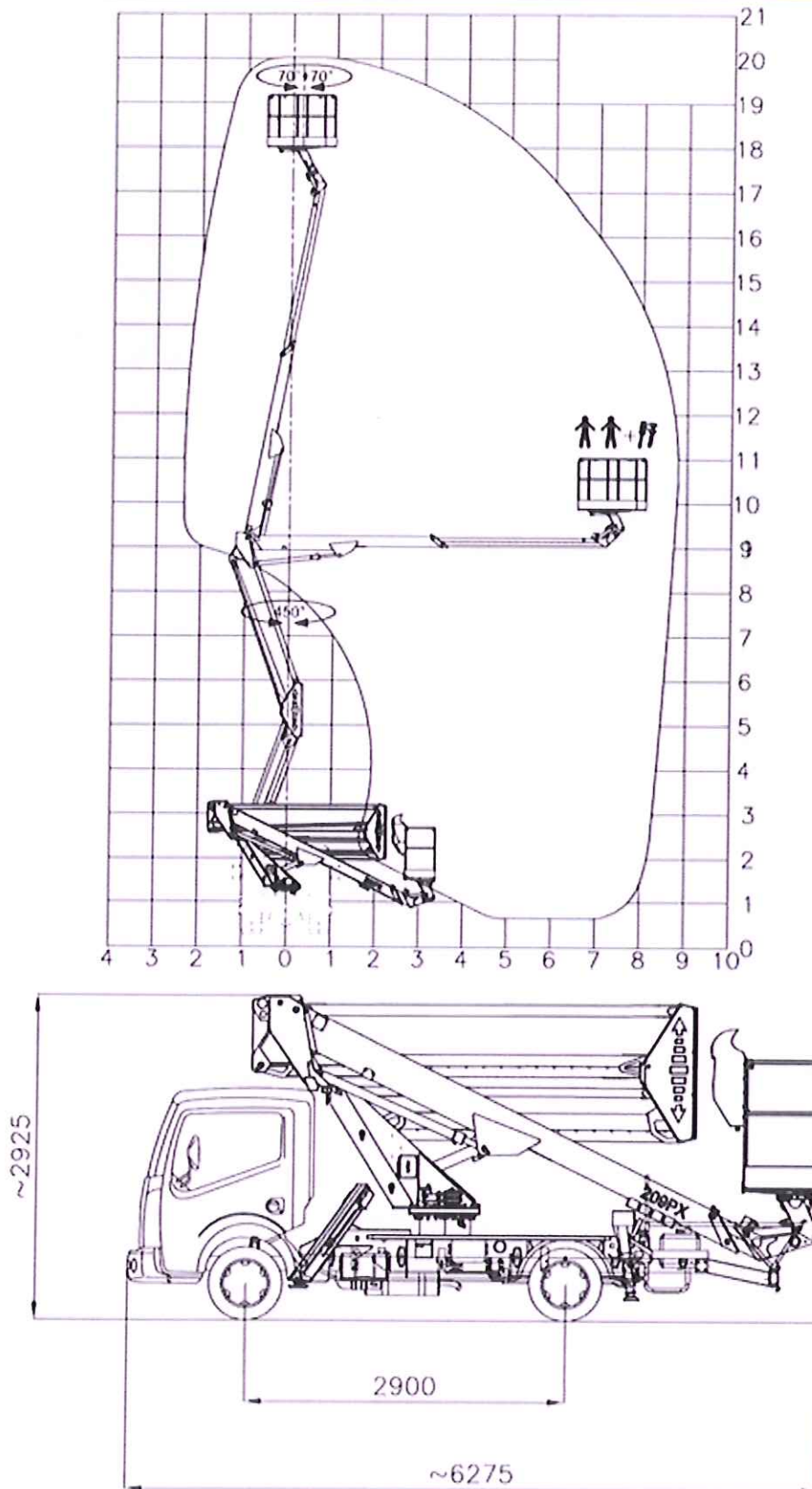


Specification to include:

- Two-man Steel basket fitted with safety harness anchorages, non-slip flooring, recessed handrail and sliding entry bar. Basket dimensions of 1.4m by 0.7m.
- Basket Load sensing feature (as per EN280).
- Hydraulic Basket levelling (with manual override facility).
- Fully proportional hydraulic controls at the basket (duplicated at the base), as well as 110v wiring, vehicle engine stop/start, emergency lowering controls and emergency stop button.
- 450° Non-Continuous boom rotation.
- Basket rotation of +/- 70°.
- Four independently controlled hydraulically operated stabilisers, controlled from the nearside of the chassis fully interlocked with boom operation.
- Power-take-off pump, driven from vehicle gearbox.
- Stowage warning lights and PTO engaged warning alarm, complete with PTO controls in cab.
- Sub-frame finished in aluminium "checker-plate" access flooring incorporating access steps and an interlocked boom stowage facility.
- Sub-frame finish painted in black, boom and basket finished in White.
- Fully CE marked and manufactured in accordance with European standard EN280.

E209PX Truck Mounted Platform

PRP1562B Issue 1 – 11/1/2013



KING VEHICLE ENGINEERING LIMITED AND ASSOCIATED COMPANIES
KING TRAILERS LIMITED KING HIGHWAY PRODUCTS LIMITED KING TRANSPORT EQUIPMENT LIMITED KING FINANCE SOLUTIONS LIMITED

Riverside, Market Harborough, Leicestershire, England, LE16 7PX. Telephone: +44 (0)1858 467361 Fax: +44 (0)1858 467161 www.kinghighway.co.uk
 Due to our policy of continuous improvement, King reserves the right to amend specifications without notice.